



Check Valves are available in a wide range of materials, sizes, connections and configurations.



FTS Check Valves are specially designed & manufactured for flow control of fluids and gases in corrosive & hazardous environment. These valves are used in Process control, instrumentation and flow control applications. Valves are precision machined with designer durability and maximum efficiency to provide high quality and low cost alternatives in fluid and gaseous control systems of different applications, to meet the exact standards of our customers growing demands.



Tube OD



Size	SS316 Part No:
1/8"	CV-16-OD-1
1/4"	CV-16-OD-2
3/8"	CV-16-OD-3
1/2"	CV-16-OD-4
3/4"	CV-16-OD-5
1"	CV-16-OD-6

FEATURE:

- Available in High Grade Stainless Steel, Brass materials
- Variety of end connections includes Male / Female threaded NPT, BSP, BSPT, ISO, DIN and JIS tapered pipe ends.
- 100% factory tested for both crack & reseal
- Complete Heat Traceability

Orifice

1.078" to 0.656" (2.0 mm to 16.7 mm)

CY Factor

0.18 to 6.56

Pressure / Temperature Ratings

Pressure Rating

- 316SS - 1/8" to 3/4"- 5000 PSIG CWP (345 bar)
- 1" - 3000 PSIG CWP (207 bar)
- Brass - 1/8" to 1" - 3000 PSIG CWP (207 bar)

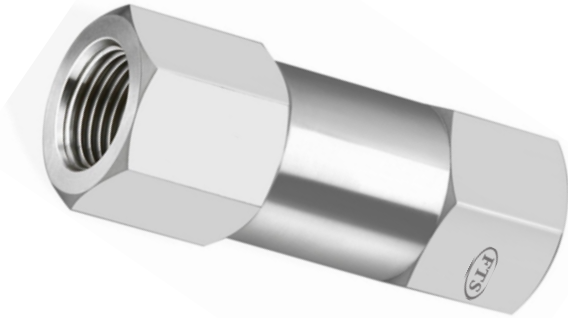
Working Temperatures

- Viton seal -15° F to 375° F (-26°C to 190°C)
- Fluorocarbon Rubber -15° F to 400° F (-26°C to 204°C)
- Buna - N Rubbed -30° F to 275° F (-34°C to 135°C)

Neoprene Rubber -45° F to 250° F (-43°C to 121°C)



Female X Female



Size	SS316 Part No:
1/8"	CV-16-FF-1
1/4"	CV-16-FF-2
3/8"	CV-16-FF-3
1/2"	CV-16-FF-4
3/4"	CV-16-FF-5
1"	CV-16-FF-6

FEATURE:

- Available in High Grade Stainless Steel, Brass materials
- Variety of end connections includes Male / Female threaded NPT, BSP, BSPT, ISO, DIN and JIS tapered pipe ends.
- 100% factory tested for both crack & reseal
- Complete Heat Traceability

Orifice

1.078" to 0.656" (2.0 mm to 16.7 mm)

CY Factor

0.18 to 6.56

Pressure / Temperature Ratings

Pressure Rating

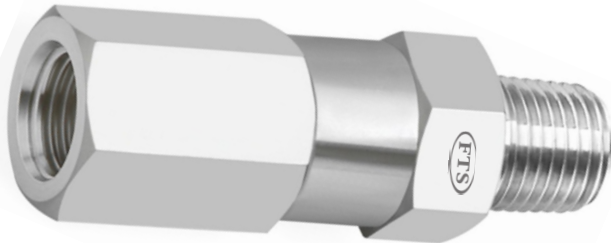
- 316SS - 1/8" to 3/4"- 5000 PSIG CWP (345 bar)
- 1" - 3000 PSIG CWP (207 bar)
- Brass - 1/8" to 1" - 3000 PSIG CWP (207 bar)

Working Temperatures

- Viton seal -15° F to 375° F (-26°C to 190°C)
- Fluorocarbon Rubber -15° F to 400° F (-26°C to 204°C)
- Buna - N Rubbed -30° F to 275° F (-34°C to 135°C)
- Neoprene Rubber -45° F to 250° F (-43°C to 121°C)



Male X Female



Size	SS316 Part No:
1/8"	CV-16-MF-1
1/4"	CV-16-MF-2
3/8"	CV-16-MF-3
1/2"	CV-16-MF-4
3/4"	CV-16-MF-5
1"	CV-16-MF-6

FEATURE:

- Available in High Grade Stainless Steel, Brass materials
- Variety of end connections includes Male / Female threaded NPT, BSP, BSPT, ISO, DIN and JIS tapered pipe ends.
- 100% factory tested for both crack & reseal
- Complete Heat Traceability

Orifice

1.078" to 0.656" (2.0 mm to 16.7 mm)

CY Factor

0.18 to 6.56

Pressure / Temperature Ratings

Pressure Rating

- 316SS - 1/8" to 3/4"- 5000 PSIG CWP (345 bar)
- 1" - 3000 PSIG CWP (207 bar)
- Brass - 1/8" to 1" - 3000 PSIG CWP (207 bar)

Working Temperatures

- Viton seal -15° F to 375° F (-26°C to 190°C)
- Fluorocarbon Rubber -15° F to 400° F (-26°C to 204°C)
- Buna - N Rubbed -30° F to 275° F (-34°C to 135°C)
- Neoprene Rubber -45° F to 250° F (-43°C to 121°C)